

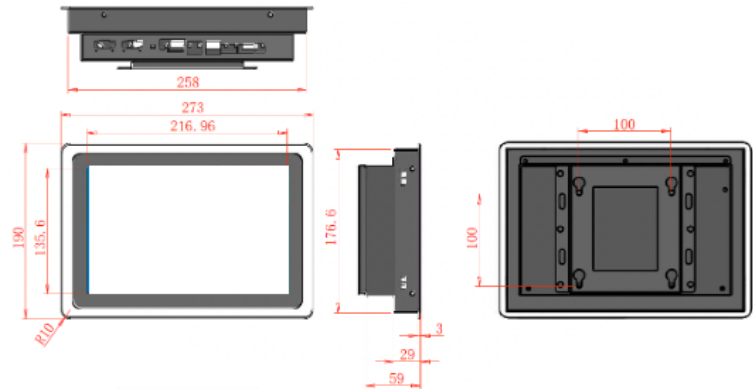
## ECOIPC4-101W 10.1" | Intel® Celeron® ~ Core™ i5 ~ Core™ i7 CPU | Wi-Fi



Product code	ECOIPC4-101W
Screen size	10.1" TFT LCD
Resolution	1280 x 800
Brightness	350 cd/m2
Viewing Angle	178°(H), 178°(V)
Touch Type	10 Finger Touch Projected Capacitive (PCAP)
Backlight Life	50,000 Hours (Minimum)
Cooling	Fanless Passive Fanless + Combined
Processor [CPU]	Intel® Celeron® J4125 Quad Core 2.00 GHz BM: 2980 ECOIPC4-101W-C10-4125 Intel® Celeron® J6412 Quad Core 2.00 GHz BM: 3900 ECOIPC4-101W-C10-6412 Intel® Core™ i5-7200U 2 Core 2.50GHz BM: 3340 ECOIPC4-101W-i510-7200 Intel® Core™ i5-10210U Quad Core 1.60 GHz BM: 6300 ECOIPC4-101W-i510-10210 Intel® Core™ i7-7500U 2 Core 2.7 GHz BM: 3600 ECOIPC4-101W-i710-7500 Intel® Core™ i7-10510U Quad Core 1.78 GHz BM: 6870 ECOIPC4-101W-i710-10510
RAM [System Memory]	Intel® Celeron® : 4GB   Intel® Core™ 8GB (Celeron® models can be upgraded to 8GB, Core™ 7th, 8th and 10th generation Models up to 16GB.)
SSD/ mSATA /M.2 Storage	64GB mSATA /M.2 SSD (Expandable up to 512GB)
LAN / Ethernet	GbE x 2
USB 3.0	x 2
USB 2.0	x 2
RS-232 Serial Port	x 1
RS-485 Serial Port	x 1
Video Output	HDMI x 1   VGA x 1
Audio Output	Line-Out x 1
Built-in Speaker	x 1
Expansion Slot	Mini - PCIe x 2 [ for mSATA and WiFi -BT module]
Wireless	802.11b/g/n
Bluetooth	BT4.1
Mounting Type	Panel Mount   VESA 75   VESA100   Stand
Supply Voltage	Dual Supply – Adapter + DC 12~36V (Adapter is included in the package.)
Operating temperature	-10°C~60°C
Weight (kg)	2
Body Material	Aluminum Body Color : Black
IP Protection Class	Front IP65
Certificates	CE/FCC/ROHS
Supported Operating Systems	Pre- Installation: Windows 10 Pro Supported : Windows 10   Windows 11   Linux



Buy ECOIPC4, plant a tree  
ICC donates on behalf of you



## ECOIPC4-116W 11.6" | Intel® Celeron® ~ Core™ i5 ~ Core™ i7 CPU | Wi-Fi



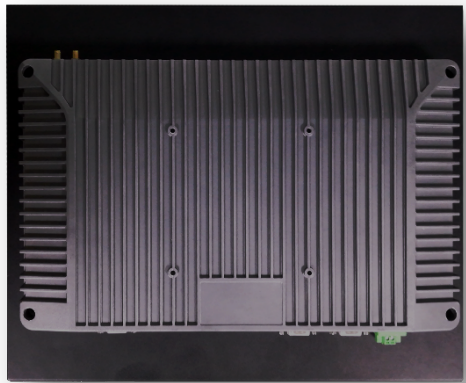
Product code	ECOIPC4-116W	
Screen size	11.6" TFT LCD	
Resolution	1920x1080	
Brightness	350 cd/m2	
Viewing Angle	178°(H), 178°(V)	
Touch Type	10 Finger Touch Projected Capacitive (PCAP)	
Backlight Life	50,000 Hours (Minimum)	
Cooling	Fanless Passive Fanless + Combined	
Processor [CPU]	Intel® Celeron® J4125 Quad Core 2.00 GHz BM: 2980	ECOIPC4-116W-C10-4125
	Intel® Celeron® J6412 Quad Core 2.00 GHz BM: 3900	ECOIPC4-116W-C10-6412
	Intel® Core™ i5-7200U 2 Core 2.50GHz BM: 3340	ECOIPC4-116W-i510-7200
	Intel® Core™ i5-10210U Quad Core 1.60 GHz BM: 6300	ECOIPC4-116W-i510-10210
	Intel® Core™ i7-7500U 2 Core 2.7 GHz BM: 3600	ECOIPC4-116W-i710-7500
RAM [System Memory]	Intel® Core™ i7-10510U Quad Core 1.78 GHz BM: 6870	ECOIPC4-116W-i710-10510
	Intel® Celeron® : 4GB   Intel® Core™ 8GB (Celeron® models can be upgraded to 8GB, Core™ 7th, 8th and 10th generation Models up to 16GB.)	
SSD/ mSATA /M.2 Storage	64GB mSATA /M.2 SSD (Expandable up to 512GB)	
LAN / Ethernet	GbE x 2	
USB 3.0	x 2	
USB 2.0	x 2	
RS-232 Serial Port	x 1	
RS-485 Serial Port	x 1	
Video Output	HDMI x 1   VGA x 1	
Audio Output	Line-Out x 1	
Built-in Speaker	x 1	
Expansion Slot	Mini - PCIe x 2 [ for mSATA and WiFi -BT module]	
Wireless	802.11b/g/n	
Bluetooth	BT4.1	
Mounting Type	Panel Mount   VESA 75   VESA100   Stand	
Supply Voltage	Dual Supply – Adapter + DC 12~36V (Adapter is included in the package.)	
Operating temperature	-10°C~60°C	
Weight (kg)	2,5	
Body Material	Aluminum Body Color : Black	
IP Protection Class	Front IP65	
Certificates	CE/FCC/ROHS	
Supported Operating Systems	Pre- Installation: Windows 10 Pro Supported : Windows 10   Windows 11   Linux	



Buy ECOIPC4, plant a tree  
ICC donates on behalf of you



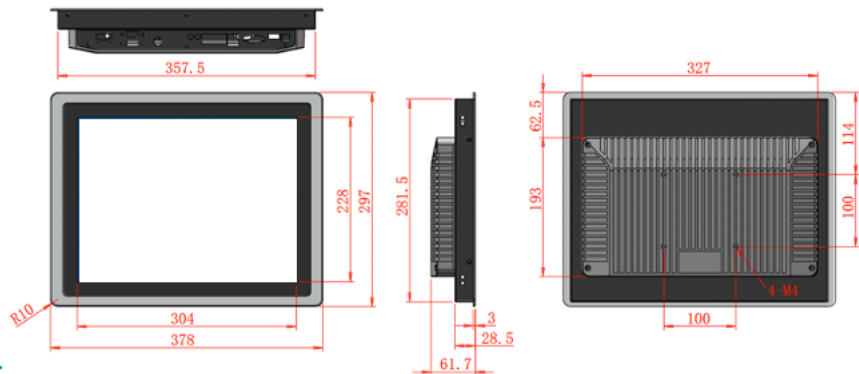
## ECOIPC4-150W 15" | Intel® Celeron® ~ Core™ i5 ~ Core™ i7 CPU | Wi-Fi



Product code	ECOIPC4-150W	
Screen size	15" TFT LCD	
Resolution	1024 x 768	
Brightness	350 cd/m2	
Viewing Angle	178°(H), 178°(V)	
Touch Type	10 Finger Touch Projected Capacitive (PCAP)	
Backlight Life	50,000 Hours (Minimum)	
Cooling	Fanless Passive Fanless + Combined	
Processor [CPU]	Intel® Celeron® J4125 Quad Core 2.00 GHz BM: 2980	ECOIPC4-150W-C10-4125
	Intel® Celeron® J6412 Quad Core 2.00 GHz BM: 3900	ECOIPC4-150W-C10-6412
	Intel® Core™ i5-7200U 2 Core 2.50GHz BM: 3340	ECOIPC4-150W-i510-7200
	Intel® Core™ i5-10210U Quad Core 1.60 GHz BM: 6300	ECOIPC4-150W-i510-10210
	Intel® Core™ i7-7500U 2 Cores 2.7 GHz BM: 3600	ECOIPC4-150W-i710-7500
	Intel® Core™ i7-10510U Quad Core 1.78 GHz BM: 6870	ECOIPC4-150W-i710-10510
RAM [System Memory]	Intel® Celeron® : 4GB   Intel® Core™ 8GB (Celeron® models can be upgraded to 8GB, Core™ 7th, 8th and 10th generation Models up to 16GB.)	
SSD/mSATA/M.2 Storage	64GB mSATA/M.2 SSD (Upgradeable to 512GB)	
LAN / Ethernet	GbE x 2	
USB 3.0	x 2	
USB 2.0	x 2	
RS-232 Serial Port	x 1	
RS-485 Serial Port	x 1	
Video Output	HDMI x 1   VGA x 1	
Audio Output	Line-Out x 1	
Built-in Speaker	x 1	
Expansion Slot	Mini-PCIe x 2 [for mSATA and WiFi-BT module]	
Wireless	802.11b/g/n	
Bluetooth	BT4.1	
Mounting Type	Panel Mount   VESA 75   VESA100   Stand	
Supply Voltage	Dual Supply – Adapter + DC 12~36V (Adapter is included in the package.)	
Operating temperature	-10°C~60°C	
Weight (kg)	3	
Body Material	Aluminum Body Color : Black	
IP Protection Class	Front IP65	
Certificates	CE/FCC/ROHS	
Supported Operating Systems	Pre-Installation: Windows 10 Pro Supported : Windows 10   Windows 11   Linux	



Buy ECOIPC4, plant a tree  
ICC donates on behalf of you



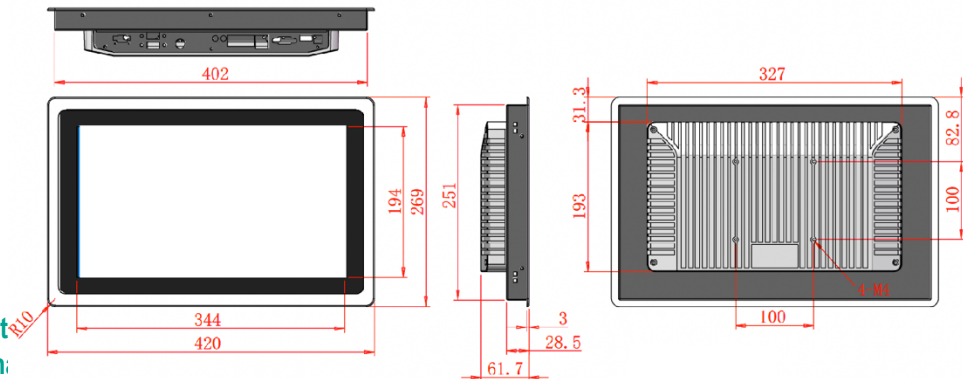
## ECOIPC4-156W 15.6" | Intel® Celeron® ~ Core™ i5 ~ Core™ i7 CPU | Wi-Fi



Product code	ECOIPC4-156W	
Screen size	15.6" TFT LCD	
Resolution	1920x1080	
Brightness	350 cd/m2	
Viewing Angle	178°(H), 178°(V)	
Touch Type	10 Finger Touch Projected Capacitive (PCAP)	
Backlight Life	50,000 Hours (Minimum)	
Cooling	Fanless Passive Fanless + Combined	
Processor [CPU]	Intel® Celeron® J4125 Quad Core 2.00 GHz BM: 2980	ECOIPC4-156W-C10-4125
	Intel® Celeron® J6412 Quad Core 2.00 GHz BM: 3900	ECOIPC4-156W-C10-6412
	Intel® Core™ i5-7200U 2 Core 2.50GHz BM: 3340	ECOIPC4-156W-i510-7200
	Intel® Core™ i5-10210U Quad Core 1.60 GHz BM: 6300	ECOIPC4-156W-i510-10210
	Intel® Core™ i7-7500U 2 Cores 2.7 GHz BM: 3600	ECOIPC4-156W-i710-7500
Processor [CPU]	Intel® Core™ i7-10510U Quad Core 1.78 GHz BM: 6870	ECOIPC4-156W-i710-10510
RAM [System Memory]	Intel® Celeron® : 4GB   Intel® Core™ 8GB (Celeron® models can be upgraded to 8GB, Core™ 7th, 8th and 10th generation Models up to 16GB.)	
SSD/mSATA/M.2 Storage	64GB mSATA/M.2 SSD (Upgradeable to 512GB)	
LAN / Ethernet	GbE x 2	
USB 3.0	x 2	
USB 2.0	x 2	
RS-232 Serial Port	x 1	
RS-485 Serial Port	x 1	
Video Output	HDMI x 1   VGA x 1	
Audio Output	Line-Out x 1	
Built-in Speaker	x 1	
Expansion Slot	Mini-PCIe x 2 [for mSATA and WiFi-BT module]	
Wireless	802.11b/g/n	
Bluetooth	BT4.1	
Mounting Type	Panel Mount   VESA 75   VESA100   Stand	
Supply Voltage	Dual Supply – Adapter + DC 12~36V (Adapter is included in the package.)	
Operating temperature	-10°C~60°C	
Weight (kg)	3	
Body Material	Aluminum Body Color : Black	
IP Protection Class	Front IP65	
Certificates	CE/FCC/ROHS	
Supported Operating Systems	Pre-Installation: Windows 10 Pro Supported : Windows 10   Windows 11   Linux	

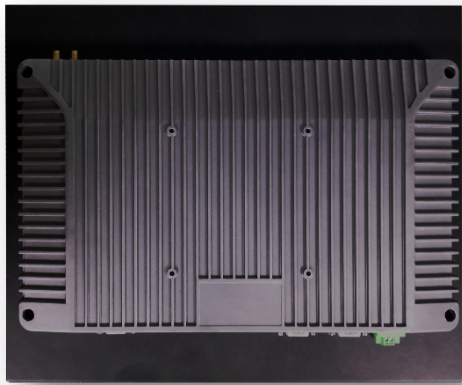


Buy ECOIPC4, plant  
ICC donates on beh:



- 24/7 365
- Full Time Efficiency Thanks to its Special Design For Industrial Environment
- Fanless Design With Aluminum Chassis
- True Flat IP65 Protection Class Front Bezel
- 10°C ~ +60°C Robustness At High and Low Temperature Environment
- Auto-Restart After Re-Energised
- Low Energy Consumption
- Vibration Protection
- Shock Protection
- EMC Compatibility
- 3 YEARS WARRANTY

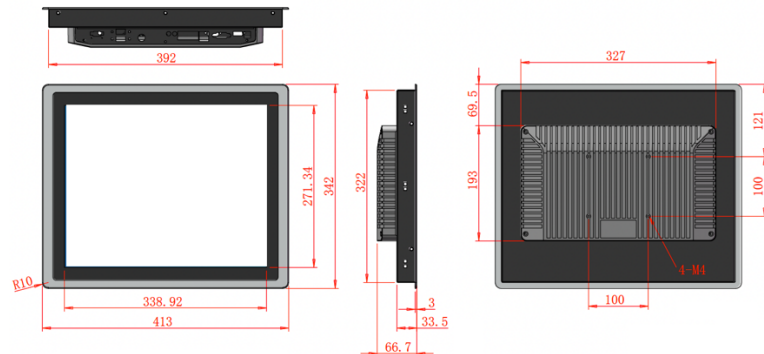
## ECOIPC4-170W 17" | Intel® Celeron® ~ Core™ i5 ~ Core™ i7 CPU | Wi-Fi



Product code	ECOIPC4-170W	
Screen size	17" TFT LCD	
Resolution	1280 x 1024	
Brightness	350 cd/m2	
Viewing Angle	178°(H), 178°(V)	
Touch Type	10 Finger Touch Projected Capacitive (PCAP)	
Backlight Life	50,000 Hours (Minimum)	
Cooling	Fanless Passive Fanless + Combined	
Processor [CPU]	Intel® Celeron® J4125 Quad Core 2.00 GHz BM: 2980	ECOIPC4-170W-C10-4125
	Intel® Celeron® J6412 Quad Core 2.00 GHz BM: 3900	ECOIPC4-170W-C10-6412
	Intel® Core™ i5-7200U 2 Core 2.50GHz BM: 3340	ECOIPC4-170W-i510-7200
	Intel® Core™ i5-10210U Quad Core 1.60 GHz BM: 6300	ECOIPC4-170W-i510-10210
	Intel® Core™ i7-7500U 2 Cores 2.7 GHz BM: 3600	ECOIPC4-170W-i710-7500
Intel® Core™ i7-10510U Quad Core 1.78 GHz BM: 6870	ECOIPC4-170W-i710-10510	
RAM [System Memory]	Intel® Celeron® : 4GB   Intel® Core™ 8GB (Celeron® models can be upgraded to 8GB, Core™ 7th, 8th and 10th generation Models up to 16GB.)	
SSD/mSATA/M.2 Storage	64GB mSATA/M.2 SSD (Upgradeable to 512GB)	
LAN / Ethernet	GbE x 2	
USB 3.0	x 2	
USB 2.0	x 2	
RS-232 Serial Port	x 1	
RS-485 Serial Port	x 1	
Video Output	HDMI x 1   VGA x 1	
Audio Output	Line-Out x 1	
Built-in Speaker	x 1	
Expansion Slot	Mini-PCIe x 2 [for mSATA and WiFi-BT module]	
Wireless	802.11b/g/n	
Bluetooth	BT4.1	
Mounting Type	Panel Mount   VESA 75   VESA100   Stand	
Supply Voltage	Dual Supply – Adapter + DC 12~36V (Adapter is included in the package.)	
Operating temperature	-10°C~60°C	
Weight (kg)	3,5	
Body Material	Aluminum Body Color : Black	
IP Protection Class	Front IP65	
Certificates	CE/FCC/ROHS	
Supported Operating Systems	Pre-Installation: Windows 10 Pro Supported : Windows 10   Windows 11   Linux	



Buy ECOIPC4, plant a tree  
ICC donates on behalf of you



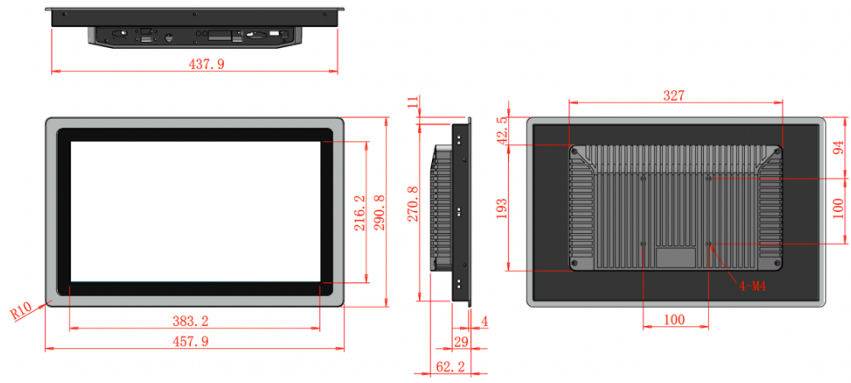
## ECOIPC4-173W 17.3" | Intel® Celeron® ~ Core™ i5 ~ Core™ i7 CPU | Wi-Fi



Product code	ECOIPC4-173W	
Screen size	17.3" TFT LCD	
Resolution	1920x1080	
Brightness	350 cd/m2	
Viewing Angle	178°(H), 178°(V)	
Touch Type	10 Finger Touch Projected Capacitive (PCAP)	
Backlight Life	50,000 Hours (Minimum)	
Cooling	Fanless Passive Fanless + Combined	
Processor [CPU]	Intel® Celeron® J4125 Quad Core 2.00 GHz BM: 2980	ECOIPC4-173W-C10-4125
	Intel® Celeron® J6412 Quad Core 2.00 GHz BM: 3900	ECOIPC4-173W-C10-6412
	Intel® Core™ i5-7200U 2 Core 2.50GHz BM: 3340	ECOIPC4-173W-i510-7200
	Intel® Core™ i5-10210U Quad Core 1.60 GHz BM: 6300	ECOIPC4-173W-i510-10210
	Intel® Core™ i7-7500U 2 Cores 2.7 GHz BM: 3600	ECOIPC4-173W-i710-7500
	Intel® Core™ i7-10510U Quad Core 1.78 GHz BM: 6870	ECOIPC4-173W-i710-10510
RAM [System Memory]	Intel® Celeron® : 4GB   Intel® Core™ 8GB (Celeron® models can be upgraded to 8GB, Core™ 7th, 8th and 10th generation Models up to 16GB.)	
SSD/mSATA/M.2 Storage	64GB mSATA/M.2 SSD (Upgradeable to 512GB)	
LAN / Ethernet	GbE x 2	
USB 3.0	x 2	
USB 2.0	x 2	
RS-232 Serial Port	x 1	
RS-485 Serial Port	x 1	
Video Output	HDMI x 1   VGA x 1	
Audio Output	Line-Out x 1	
Built-in Speaker	x 1	
Expansion Slot	Mini-PCle x 2 [for mSATA and WiFi-BT module]	
Wireless	802.11b/g/n	
Bluetooth	BT4.1	
Mounting Type	Panel Mount   VESA 75   VESA100   Stand	
Supply Voltage	Dual Supply – Adapter + DC 12~36V (Adapter is included in the package.)	
Operating temperature	-10°C~60°C	
Weight (kg)	3,5	
Body Material	Aluminum Body Color : Black	
IP Protection Class	Front IP65	
Certificates	CE/FCC/ROHS	
Supported Operating Systems	Pre-Installation: Windows 10 Pro Supported : Windows 10   Windows 11   Linux	



Buy ECOIPC4, plant a tree  
ICC donates on behalf of you



Full Time Efficiency Thanks to its Special Design For Industrial Environment

Fanless Design With Aluminum Chassis

True Flat IP65 Protection Class Front Bezel

Robustness At High and Low Temperature Environment

Auto-Restart After Re-Energised

Low Energy Consumption

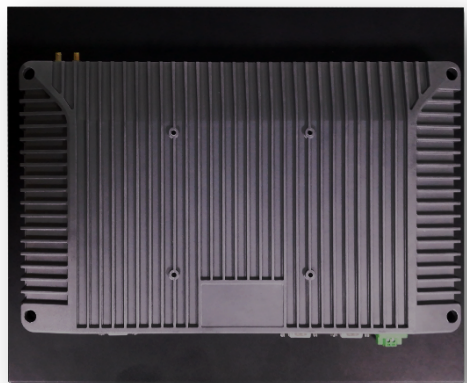
Vibration Protection

Shock Protection

EMC Compatibility

3 YEARS WARRANTY

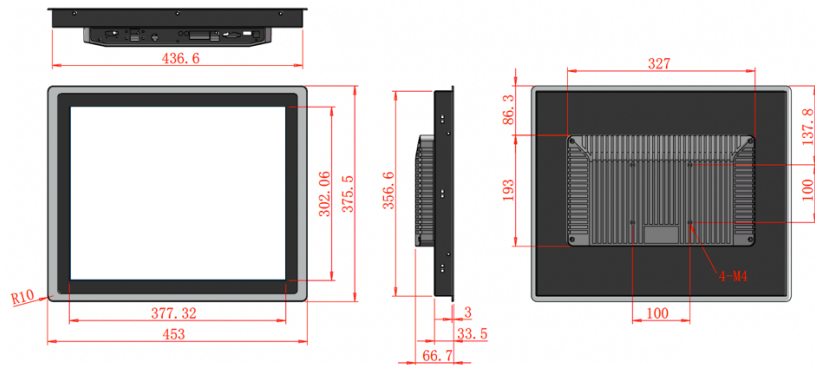
## ECOIPC4-190W 19" | Intel® Celeron® ~ Core™ i5 ~ Core™ i7 CPU | Wi-Fi



Product code	ECOIPC4-190W	
Screen size	19" TFT LCD	
Resolution	1280 x 1024	
Brightness	350 cd/m2	
Viewing Angle	178°(H), 178°(V)	
Touch Type	10 Finger Touch Projected Capacitive (PCAP)	
Backlight Life	50,000 Hours (Minimum)	
Cooling	Fanless Passive Fanless + Combined	
Processor [CPU]	Intel® Celeron® J4125 Quad Core 2.00 GHz BM: 2980	ECOIPC4-190W-C10-4125
	Intel® Celeron® J6412 Quad Core 2.00 GHz BM: 3900	ECOIPC4-190W-C10-6412
	Intel® Core™ i5-7200U 2 Core 2.50GHz BM: 3340	ECOIPC4-190W-i510-7200
	Intel® Core™ i5-10210U Quad Core 1.60 GHz BM: 6300	ECOIPC4-190W-i510-10210
	Intel® Core™ i7-7500U 2 Cores 2.7 GHz BM: 3600	ECOIPC4-190W-i710-7500
	Intel® Core™ i7-10510U Quad Core 1.78 GHz BM: 6870	ECOIPC4-190W-i710-10510
RAM [System Memory]	Intel® Celeron® : 4GB   Intel® Core™ 8GB (Celeron® models can be upgraded to 8GB, Core™ 7th, 8th and 10th generation Models up to 16GB.)	
SSD/mSATA/M.2 Storage	64GB mSATA/M.2 SSD (Upgradeable to 512GB)	
LAN / Ethernet	GbE x 2	
USB 3.0	x 2	
USB 2.0	x 2	
RS-232 Serial Port	x 1	
RS-485 Serial Port	x 1	
Video Output	HDMI x 1   VGA x 1	
Audio Output	Line-Out x 1	
Built-in Speaker	x 1	
Expansion Slot	Mini-PCle x 2 [for mSATA and WiFi-BT module]	
Wireless	802.11b/g/n	
Bluetooth	BT4.1	
Mounting Type	Panel Mount   VESA 75   VESA100   Stand	
Supply Voltage	Dual Supply – Adapter + DC 12~36V (Adapter is included in the package.)	
Operating temperature	-10°C~60°C	
Weight (kg)	4	
Body Material	Aluminum Body Color : Black	
IP Protection Class	Front IP65	
Certificates	CE/FCC/ROHS	
Supported Operating Systems	Pre-Installation: Windows 10 Pro Supported : Windows 10   Windows 11   Linux	



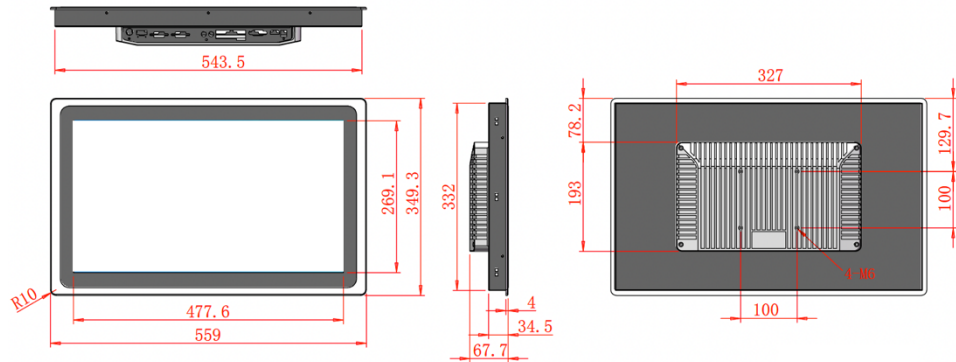
Buy ECOIPC4, plant a tree  
ICC donates on behalf of you



## ECOIPC4-215W 21.5" | Intel® Celeron® ~ Core™ i5 ~ Core™ i7 CPU | Wi-Fi



Product code	ECOIPC4-215W	
Screen size	21.5" TFT LCD	
Resolution	1920x1080	
Brightness	350 cd/m2	
Viewing Angle	178°(H), 178°(V)	
Touch Type	10 Finger Touch Projected Capacitive (PCAP)	
Backlight Life	50,000 Hours (Minimum)	
Cooling	Fanless Passive Fanless + Combined	
Processor [CPU]	Intel® Celeron® J4125 Quad Core 2.00 GHz BM: 2980	ECOIPC4-215W-C10-4125
	Intel® Celeron® J6412 Quad Core 2.00 GHz BM: 3900	ECOIPC4-215W-C10-6412
	Intel® Core™ i5-7200U 2 Core 2.50GHz BM: 3340	ECOIPC4-215W-i510-7200
	Intel® Core™ i5-10210U Quad Core 1.60 GHz BM: 6300	ECOIPC4-215W-i510-10210
	Intel® Core™ i7-7500U 2 Core 2.70GHz BM: 3600	ECOIPC4-215W-i710-7500
	Intel® Core™ i7-10510U Quad Core 1.78 GHz BM: 6870	ECOIPC4-215W-i710-10510
RAM [System Memory]	Intel® Celeron® : 4GB   Intel® Core™ 8GB (Celeron® models can be upgraded to 8GB, Core™ 7th, 8th and 10th generation Models up to 16GB.)	
SSD/mSATA/M.2 Storage	64GB mSATA/M.2 SSD (Upgradeable to 512GB)	
LAN / Ethernet	GbE x 2	
USB 3.0	x 2	
USB 2.0	x 2	
RS-232 Serial Port	x 1	
RS-485 Serial Port	x 1	
Video Output	HDMI x 1   VGA x 1	
Audio Output	Line-Out x 1	
Built-in Speaker	x 1	
Expansion Slot	Mini-PCIe x 2 [for mSATA and WiFi-BT module]	
Wireless	802.11b/g/n	
Bluetooth	BT4.1	
Mounting Type	Panel Mount   VESA 75   VESA100   Stand	
Supply Voltage	Dual Supply – Adapter + DC 12~36V (Adapter is included in the package.)	
Operating temperature	-10°C~60°C	
Weight (kg)	5	
Body Material	Aluminum Body Color : Black	
IP Protection Class	Front IP65	
Certificates	CE/FCC/ROHS	
Supported Operating Systems	Pre-Installation: Windows 10 Pro Supported : Windows 10   Windows 11   Linux	



Buy ECOIPC4, plant a tree  
ICC donates on behalf of you





## ECOIPC4-238W 23.8" | Intel® Celeron® ~ Core™ i5 ~ Core™ i7 CPU | Wi-Fi



Product code	ECOIPC4-238W	
Screen size	23.8" TFT LCD	
Resolution	1920x1080	
Brightness	350 cd/m2	
Viewing Angle	178°(H), 178°(V)	
Touch Type	10 Finger Touch Projected Capacitive (PCAP)	
Backlight Life	50,000 Hours (Minimum)	
Cooling	Fanless Passive Fanless + Combined	
Processor [CPU]	Intel® Celeron® J4125 Quad Core 2.00 GHz BM: 2980	ECOIPC4-238W-C10-4125
	Intel® Celeron® J6412 Quad Core 2.00 GHz BM: 3900	ECOIPC4-238W-C10-6412
	Intel® Core™ i5-7200U 2 Core 2.50GHz BM: 3340	ECOIPC4-238W-i510-7200
	Intel® Core™ i5-10210U Quad Core 1.60 GHz BM: 6300	ECOIPC4-238W-i510-10210
	Intel® Core™ i7-7500U 2 Cores 2.7 GHz BM: 3600	ECOIPC4-238W-i710-7500
	Intel® Core™ i7-10510U Quad Core 1.78 GHz BM: 6870	ECOIPC4-238W-i710-10510
RAM [System Memory]	Intel® Celeron® : 4GB   Intel® Core™ 8GB (Celeron® models can be upgraded to 8GB, Core™ 7th, 8th and 10th generation Models up to 16GB.)	
SSD/mSATA/M.2 Storage	64GB mSATA/M.2 SSD (Upgradeable to 512GB)	
LAN / Ethernet	GbE x 2	
USB 3.0	x 2	
USB 2.0	x 2	
RS-232 Serial Port	x 1	
RS-485 Serial Port	x 1	
Video Output	HDMI x 1   VGA x 1	
Audio Output	Line-Out x 1	
Built-in Speaker	x 1	
Expansion Slot	Mini-PCIe x 2 [for mSATA and WiFi-BT module]	
Wireless	802.11b/g/n	
Bluetooth	BT4.1	
Mounting Type	Panel Mount   VESA 75   VESA100   Stand	
Supply Voltage	Dual Supply – Adapter + DC 12~36V (Adapter is included in the package.)	
Operating temperature	-10°C~60°C	
Weight (kg)	7	
Body Material	Aluminum Body Color : Black	
IP Protection Class	Front IP65	
Certificates	CE/FCC/ROHS	
Supported Operating Systems	Pre-Installation: Windows 10 Pro Supported : Windows 10   Windows 11   Linux	



Buy ECOIPC4, plant a tree  
ICC donates on behalf of you



Full Time Efficiency Thanks to its Special Design For Industrial Environment



Fanless Design With Aluminum Chassis



True Flat IP65 Protection Class Front Bezel



Robustness At High and Low Temperature Environment



Auto-Restart After Re-Energised



Low Energy Consumption



Vibration Protection



Shock Protection



EMC Compatibility



3 YEARS WARRANTY